

# ATTACHMENTS



Digger



Backhoe



Rock bucket



Breaker



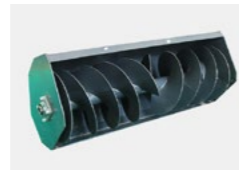
Trencher



Ripper



Auger



Trench filler



Pallet fork



Lawn ripper



Sweeper



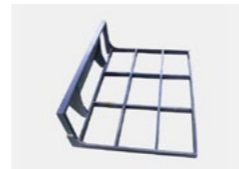
Mixer



Closed sweeper



Grapple



Leveller



Snow blower



Lawn mower



Angle blade



**THE TOP DIGGERS FOR DOWN UNDER**  
**RELIABLE. AUSSIE OWNED & OPERATED.**



**DIESEL MINI SKID**  
**STEER LOADER**

## FINANCE AVAILABLE

Contact us for details:

### NSW OFFICE

Jamie Bella  
PH: +61 499 825 999  
jamie@ozdiggers.com.au  
<http://www.ozdiggers.com.au/>

### QLD OFFICE

David Bella  
PH: +61 414 486 428  
david@ozdiggers.com.au  
<http://www.ozdiggers.com.au/>



# ABOUT US

OzDiggers manufacture premium quality earthmoving machinery to supply Australia with the most reliable equipment on the ground – and on the market.

Our Mini Skid Steer Loader is reliable, safe and built to deliver maximum performance for Australia's most demanding environments. Designed by Australians, for Australians, OzDiggers Mini Skid Steer Loaders are for those who like to get it done, and get it done right.



# SPECIFICATIONS

## POWER

Make	Perkins engine
Fuel type	Diesel
Rating power	22.4kw (30HP)
Cylinders	3
Displacement	1.496L
Rated speed	2400 rpm
Max drive speed	7.8km/h - wheeled 6.8km/h - tracked
Electrical voltage	12 V
Battery type	45AH made by YUASA

## DRIVING SYSTEM

Driving system pressure	250 bar
Driving system flow rate	62.4 L/min

## AUX CIRCUIT SYSTEM

Auxiliary circuit pressure	180 bar
Auxiliary circuit flow rate	36 L/min

## WORKING SYSTEM

Working system pressure	180 Bar
Working system flow rate	36 L/min

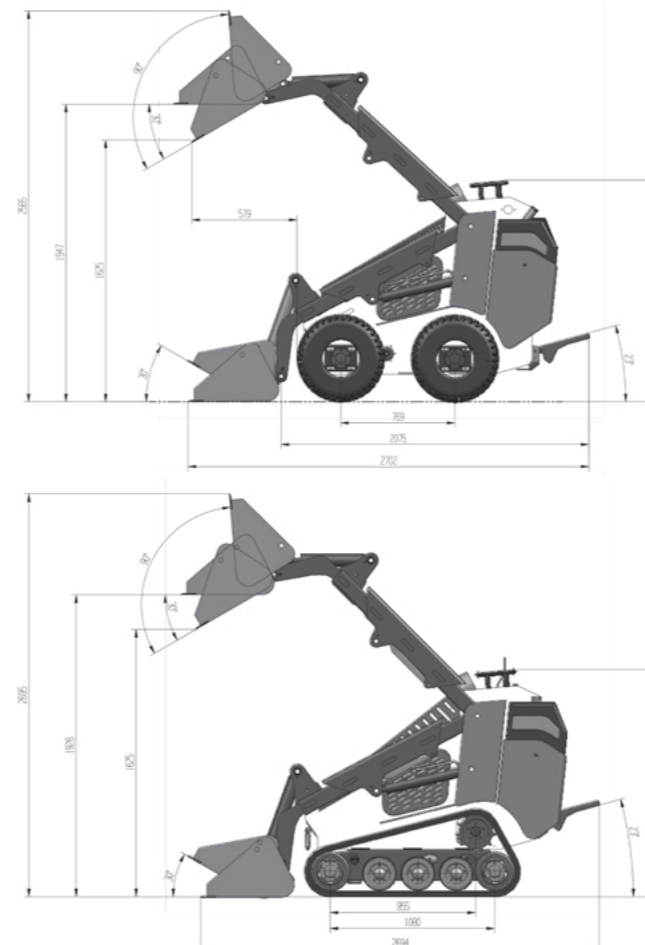
## FLUID CAPACITIES

Fuel tank capacity	40 L
Engine oil	4.7 L
Hydraulic reservoir capacity	40 L

# DIESEL MINI SKID STEER LOADER

## DIMENSIONS

	OD-130W WHEELED	OD-130T TRACKED
Operating height	2565mm	2695mm
Height to bucket hinge pin	1900mm	2000mm
Height to top	1496mm	1496mm
Overall length with GP bucket	2702mm	2694mm
Overall length without bucket	2075mm	2067mm
Wheelbase	769mm	1080mm
Overall width	1060mm	1070mm
Min ground clearance	160mm	94mm
Angle of departure	23°	23°
Rated loading capacity	400kgs & 600kgs with counterweights	400kgs & 600kgs with counterweights
Kerb weight	1200kgs	1330kgs



# FEATURES

- 22.4kw, 3 cylinder diesel Perkins engine
- Available in both tracked and wheeled specs
- Italian HC control valve
- Japan NSK bearing, 60H strong chains
- Big aluminium radiator, LED lights
- 400kg load capacity
- 2400 rpm rated speed.
- Modular Attachment System
- Designed by Australians for Australians